



UAC-2000 Clean Keeper

This new fume extractor supports a quiet and clean working environment.



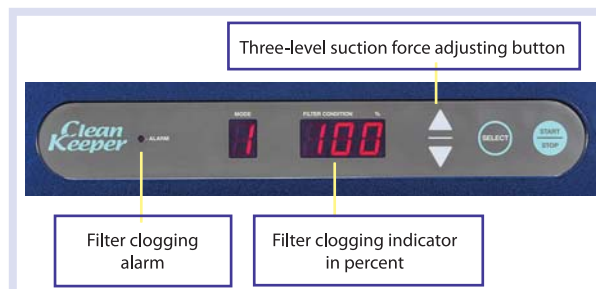
Features

- Strong suction force that is 20% higher in comparison within our company
- I/O ports intended for an automatic system, which are equipped as standard
- Notifying function for the filter replacement time
- Selectable 3 levels of suction force
- Two-step filter for efficient suction



Combo filter
UAC-2KCF

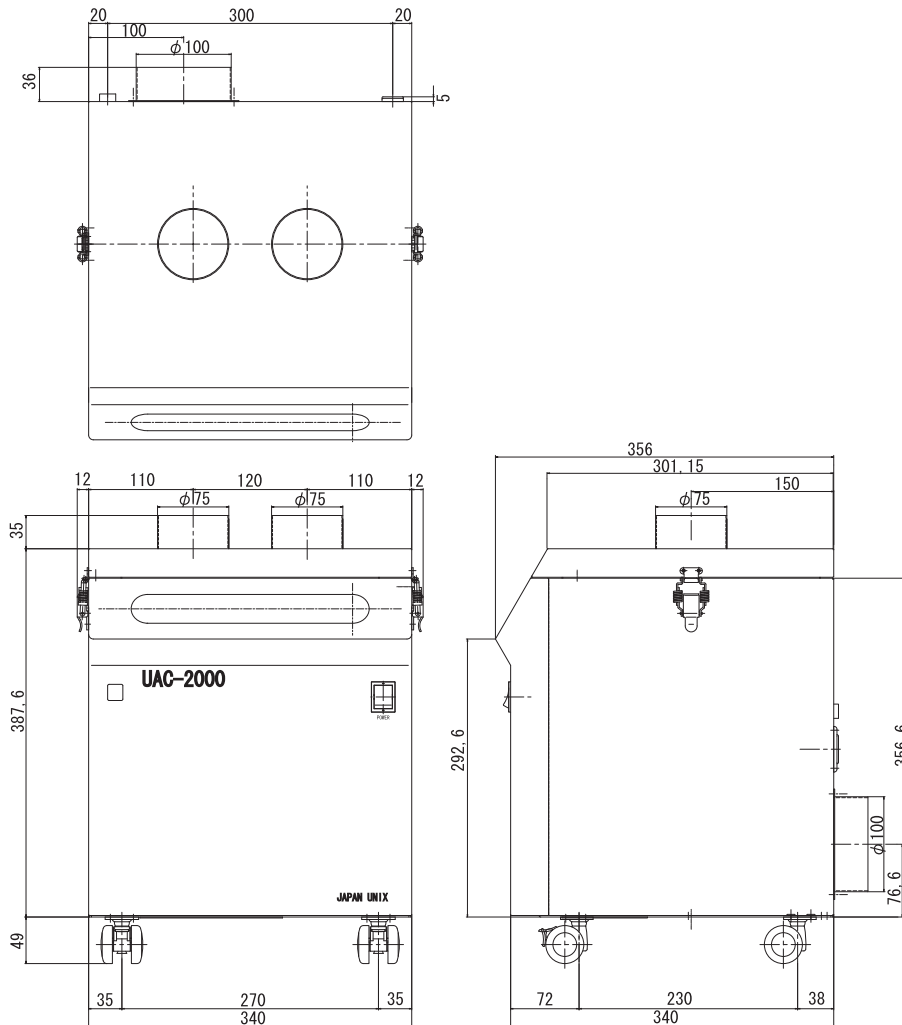
Pre-filter
UAC-2KPF



Magnified drawing of the operating panel



External Dimensions



Specifications of UAC-2000

Power supply	AC100V/115V/200V/230V ±10% 50/60Hz
Power consumption	190Watt
Motor	DC brushless
Air flow rate	1port 250m ³ /h (*1)
	2ports 150m ³ /h (*2)
Air velocity	1port 18m/s (*1)
	2ports 11m/s (*2)
Noise level	60dB (strong mode) / 56dB (middle mode) / 53dB (weak mode) (Measured at a distance of 1m)

(*1) The dedicated measurement duct is used and the one-side port plug is used in the highest speed mode.
 (*2) The dedicated measurement duct is used in the highest speed mode. The one-side port is open. The data is for one port.

Protective circuit, etc.	Even when control cannot be exerted by fuse, micro computer temperature control, and independent thermostat, the temperature can be detected to stop the machine operation.
Filter configuration	Two filters are adopted. The combo filter is used for both HEPA and GAS.
Filter clogging detection	The clogging level is indicated and output. Automatic stop function.
External dimensions	340 (W) x 360 (D) x 470 (H) including projections and casters
Weight	23 Kg
External I/O	Input: Start/stop Output: Filter/system error output
Number of connected ducts	2 ducts
Duct diameter	φ 75mm



Head Office : 2-21-25, Akasaka, Minato-ku, Tokyo 107-0052, Japan
 TEL : +81-3-3588-0551 FAX : +81-3-3588-0554

<http://www.japanunix.co.jp>

- Descriptions in this catalog are valid as of April 2010.
- Specifications and external product design are subject to change without any notice in the future.

Contact